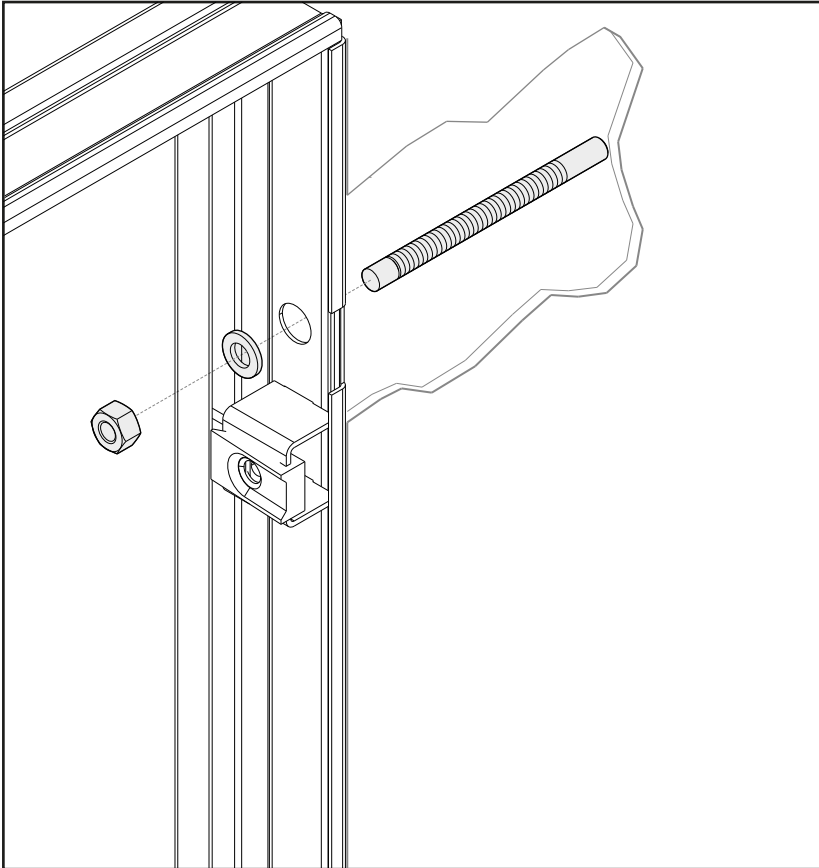
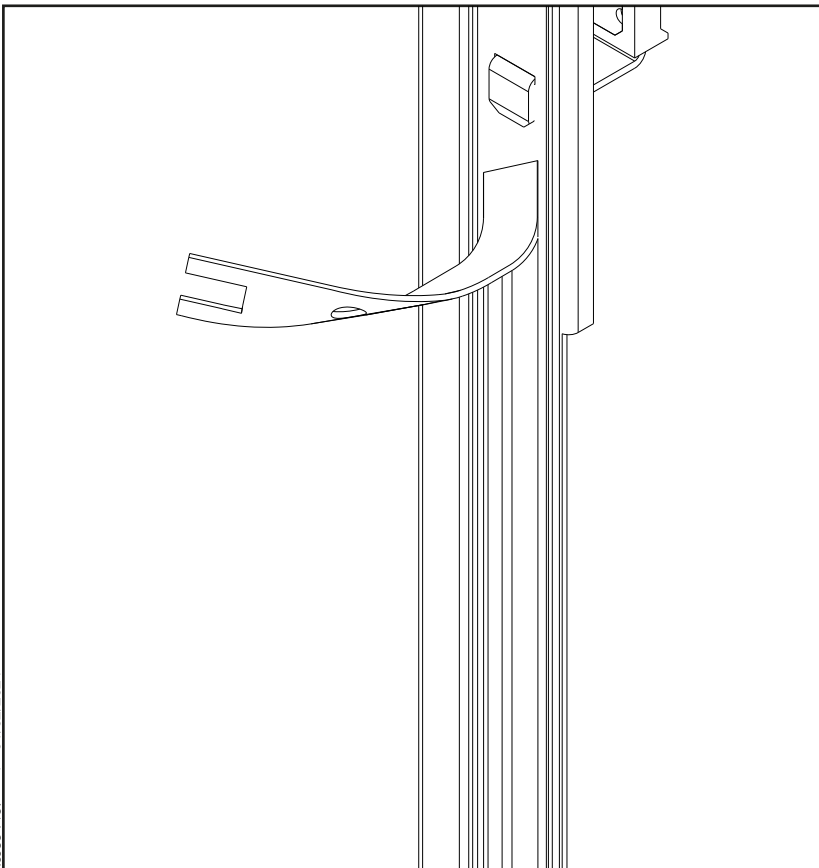


TYPE OF COUNTERFRAME INSTALLATION WITH DOWEL OR TIE

After choosing the type of installation to be used to fix the counterframe to the wall, use the relevant sheet with all the indications required in order to achieve an optimal result.



FITTING THE COUNTERFRAM E WITH DOWEL



FITTING THE COUNTERFRAM E WITH TIE

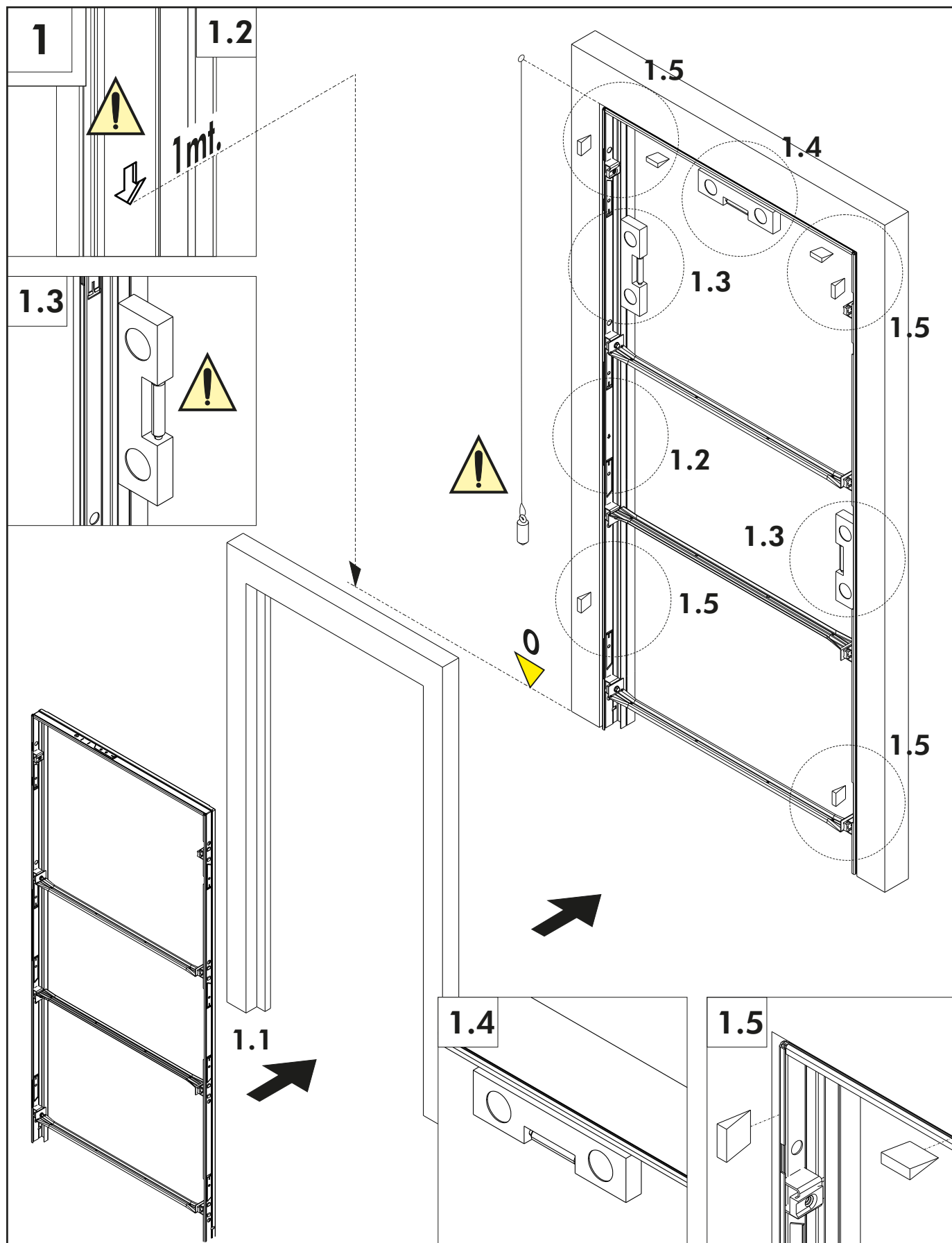
N° DIE_BLI_JST_BAS_029_en



FITTING THE COUNTERFRAME WITH DOWEL INSTALLING THE COUNTERFRAME 1/2

Position the counterframe in the wall cavity and check the horizontal and vertical alignment with the spirit level. Also check the perpendicularity of the counterframe with a plumb line. Finally, insert wedges to secure the counterframe to the wall.

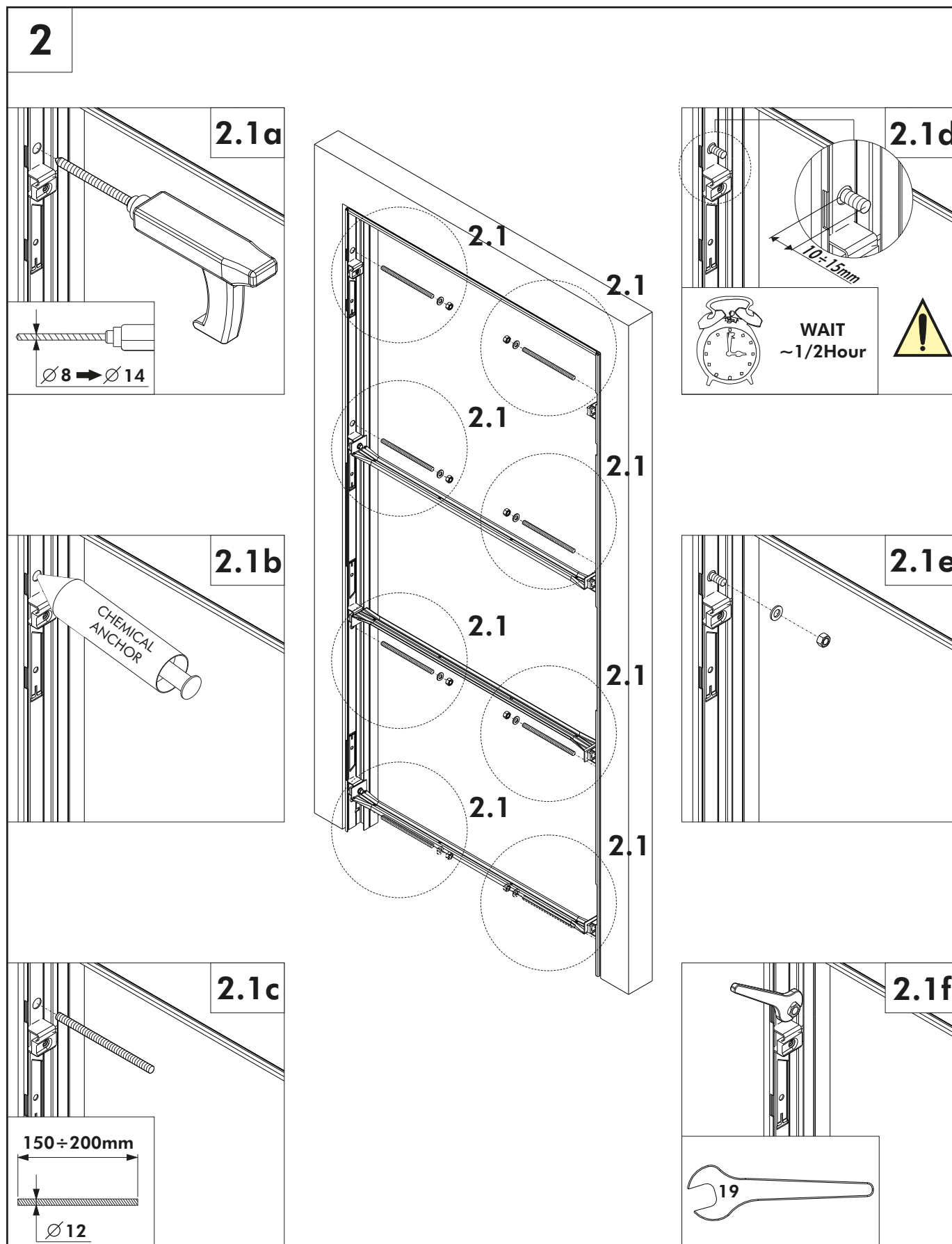
✓ POSITION THE COUNTERFRAME IN THE WALL OPENING



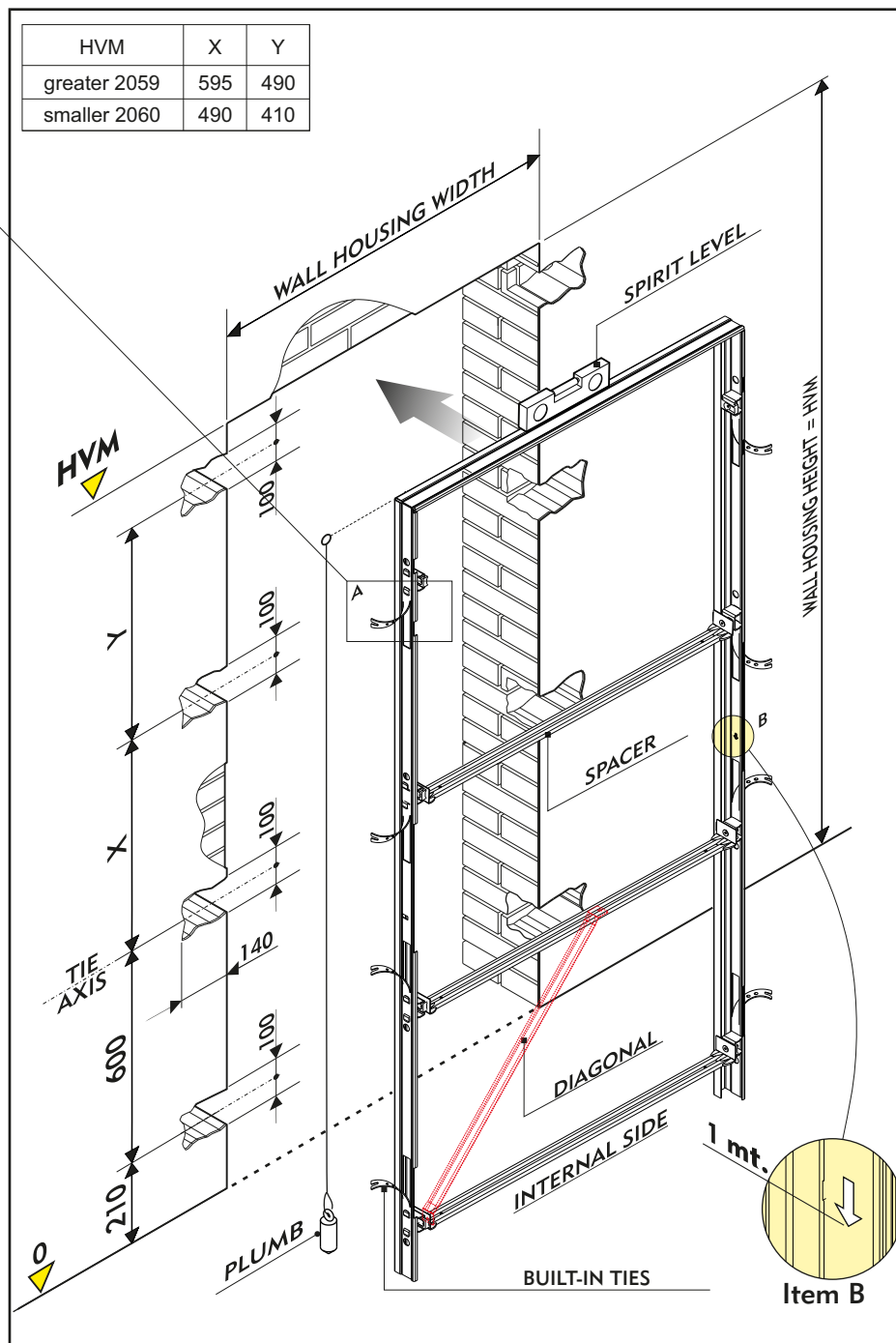
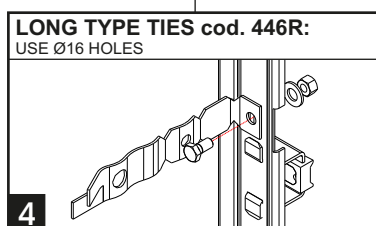
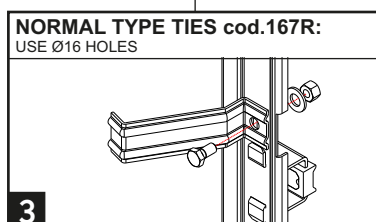
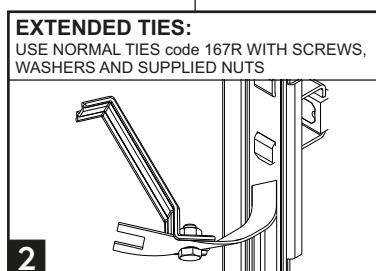
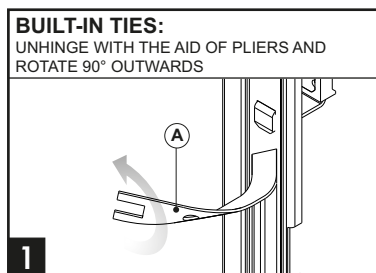
FITTING THE COUNTERFRAME WITH DOWEL INSTALLING THE COUNTERFRAME 2/2

Drill the wall with a $\varnothing 14$ mm drill bit using the holes in the counterframe. Insert the chemical anchor into the holes and the $\varnothing 12$ mm threaded rods, leaving the end of the rod approximately $10+15$ mm from the wall. Allow to dry for approximately $\frac{1}{2}$ hour. Place the washers in the threaded bars and tighten the nuts using a spanner.

✓ CLAMPING THE COUNTERFRAME TO THE WALL



FITTING THE COUNTERFRAME WITH TIE INSTALLING THE COUNTERFRAME



N° DIE_BLI_IST_BAS_029_en

1 - Counterframe Standard Installation

- Make notches in the wall cavity according to the indicated measurements
- Fold the counterframe ties as shown in figure (1)
- Position the Counterframe in the wall cavity, bricking it in plumb and level
- Do not remove the spacers until the concrete has set and reposition the bolts in the threaded plate to prevent cement residues from damaging the threads.

Counterframe Alternative Mounting

- 2 - Extended ties using ties, washers and nuts supplied as extras
- 3 - With normal ties mounted on the holes (not by bending the flaps)
- 4 - With long ties mounted on the holes (not by bending the flaps)

